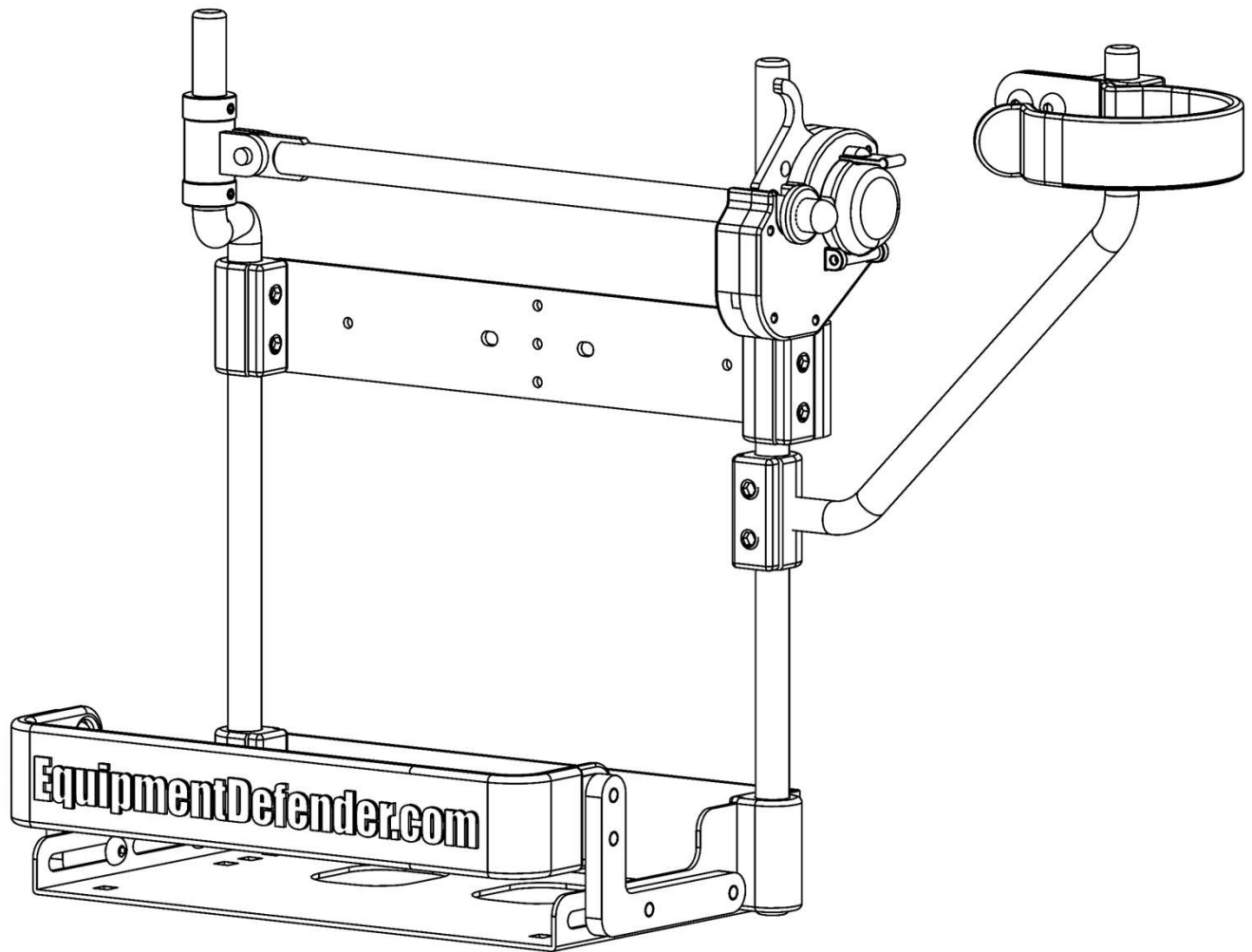


Equipment Defender

V2 Backpack Blower Rack

Assembly Instructions



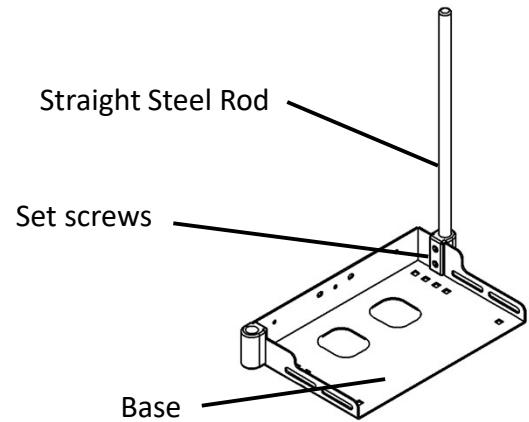
Patents Pending

EquipmentDefender.com

- Remove all set screws and apply thread lock before tightening.
 - Make sure all set screws are VERY tight.
 - Note: If you wish to achieve maximum security bolt/screw heads can be filled with epoxy.
-

Step One

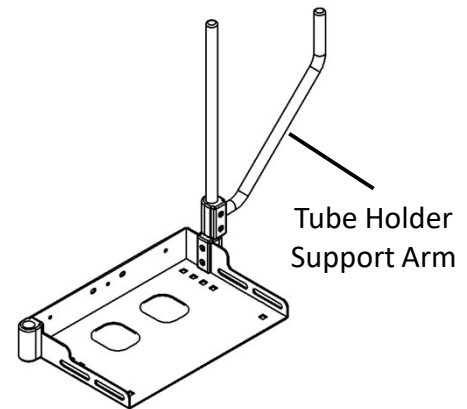
1. Insert the straight steel rod into the base.
2. Tighten the set screws.



Step Two

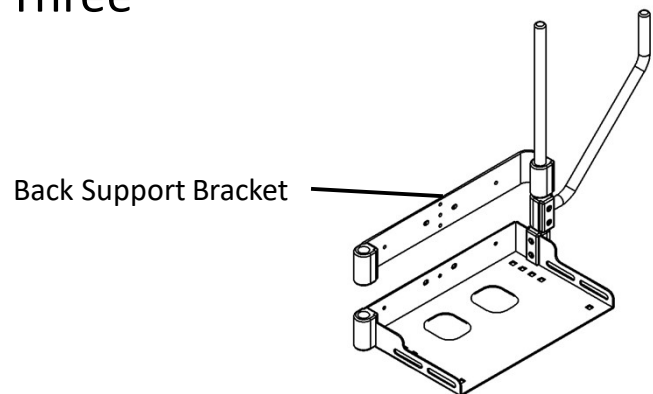
Slide the tube holder support arm onto the straight steel rod. Leave the set screws loose for now.

NOTE: If you will be using your blower rack on an enclosed trailer you may want to leave this support arm off and mount the tube holder directly to the wall. **SEE STEP 9**



Step Three

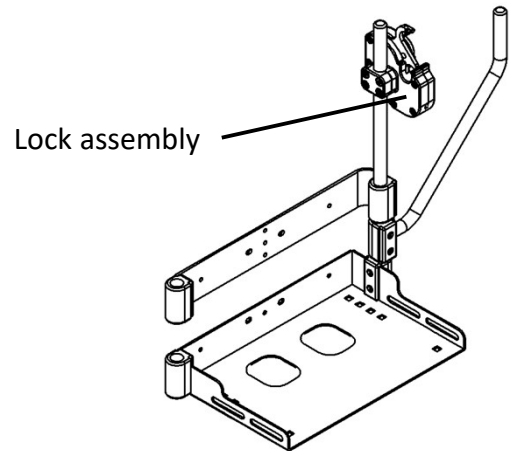
Install the back support bracket onto the straight steel rod. Leave it loose for now.



- Remove all set screws and apply thread lock before tightening.
- Make sure all set screws are VERY tight.
- Note: If you wish to achieve maximum security bolt/screw heads can be filled with epoxy.

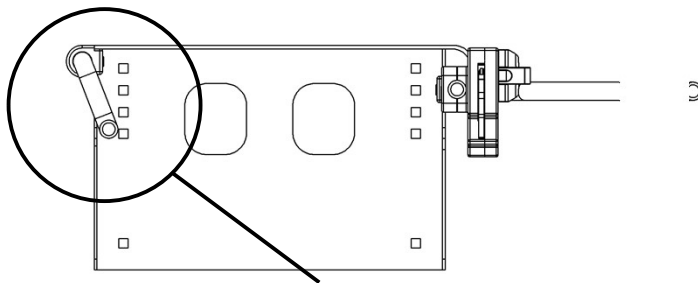
Step Four

Install the lock assembly onto the straight steel rod. Tighten the bolts just enough to keep the lock assembly from sliding down for now.

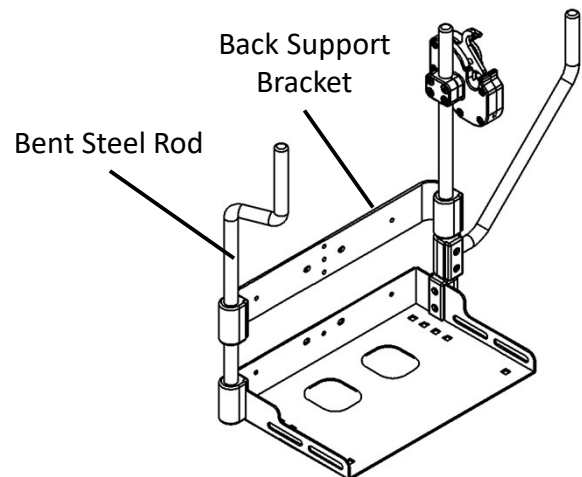


Step Five

1. Slide the bent steel rod through the back support bracket and into the base.
2. Tighten a setscrew in the base just enough to keep the rod in place for now.

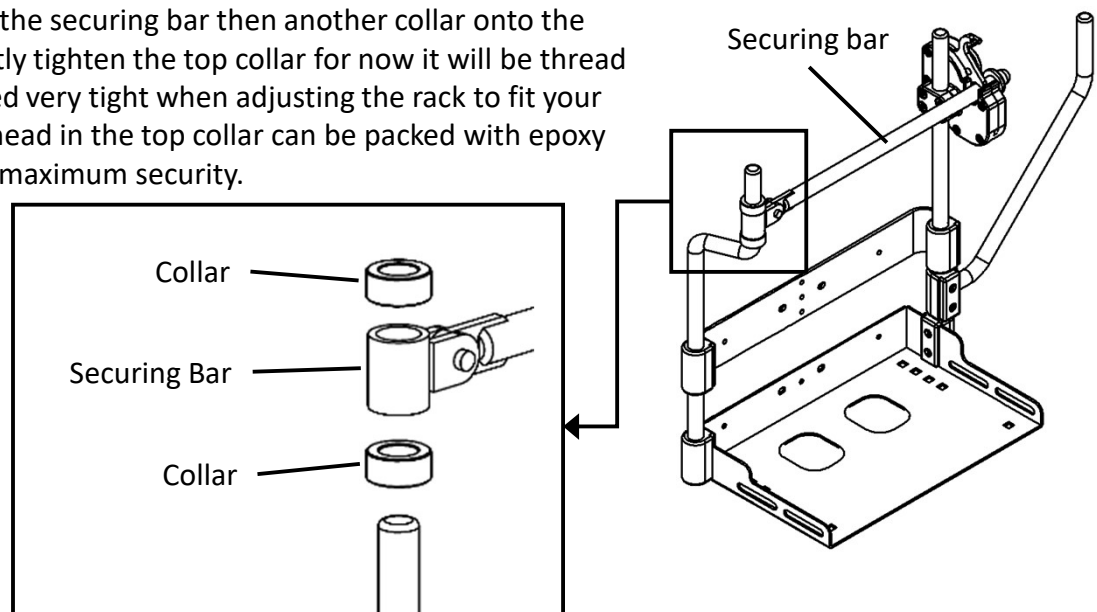


The bent steel rod installs at an angle as shown



Step Six

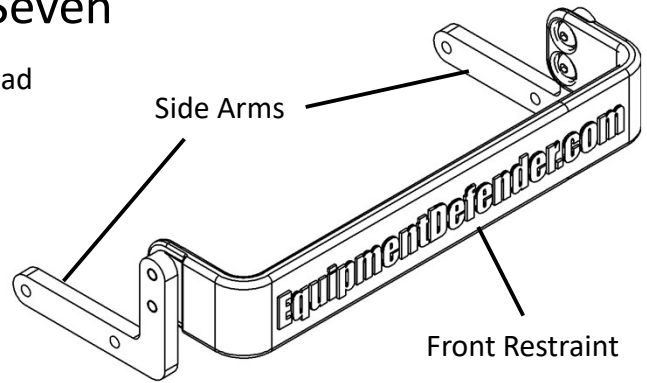
Install a collar then the securing bar then another collar onto the bent steel rod. Lightly tighten the top collar for now it will be thread locked and tightened very tight when adjusting the rack to fit your blower. The screw head in the top collar can be packed with epoxy after tightening for maximum security.



- Remove all set screws and apply thread lock before tightening.
- Make sure all set screws are VERY tight.
- Note: If you wish to achieve maximum security bolt/screw heads can be filled with epoxy.

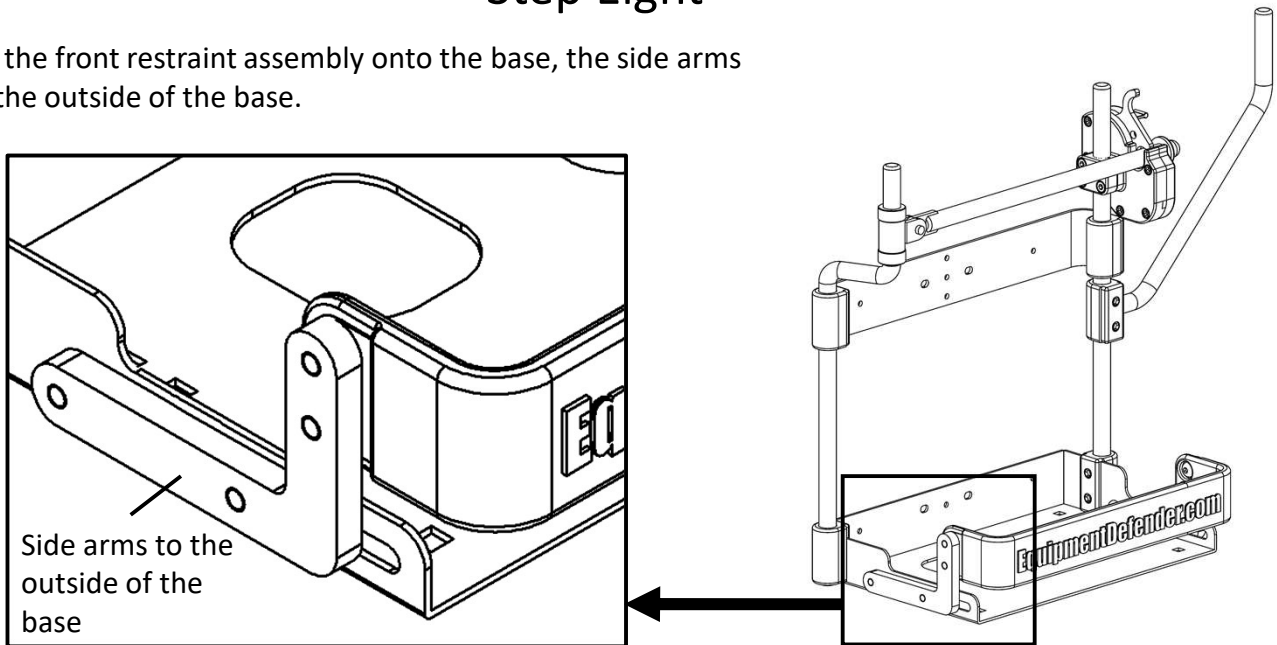
Step Seven

Install the side arms onto the front restraint use thread lock and make the screws very tight.



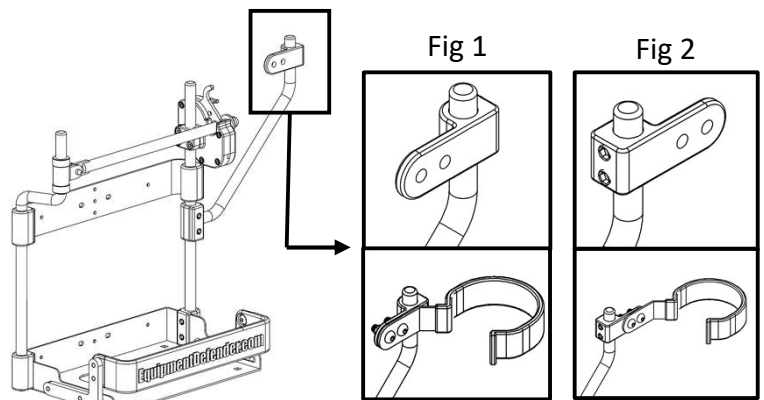
Step Eight

Install the front restraint assembly onto the base, the side arms go to the outside of the base.



Step Nine

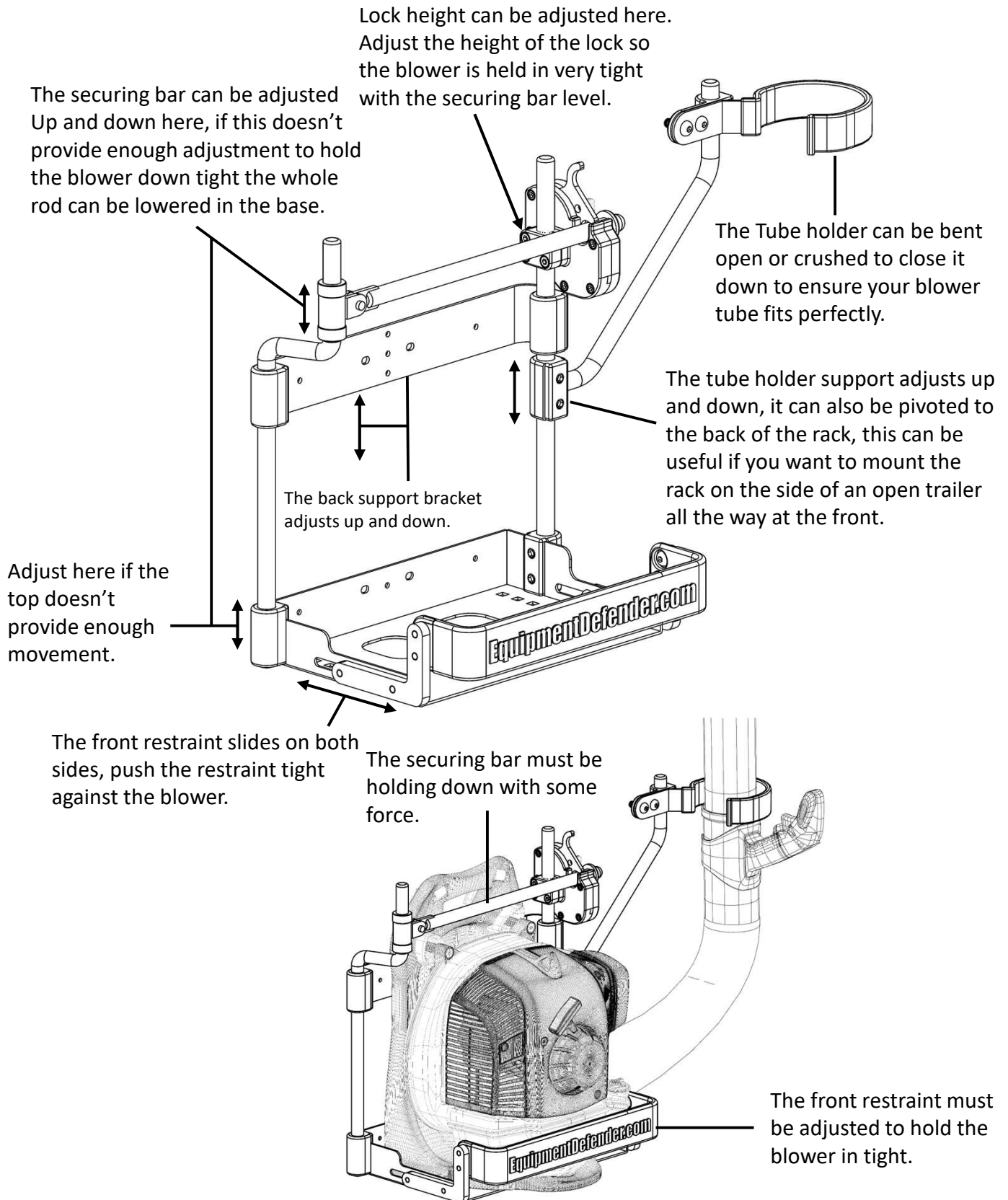
- Install the tube holder bracket onto the support arm. You can mount it directly on the wall for enclosed trailers.
- Pointing the bracket toward the rack (Fig1) will hold the tube approximately straight up.
- Pointing the bracket away from the rack (Fig2) will lay the tube out to the side more which reduces the height of the tube, this can be useful when mounting on enclosed trailers. Using only one bolt to attach the tube holder will allow it to pivot down if needed to lay your tube out even lower.



Adjusting the rack to fit your backpack blower

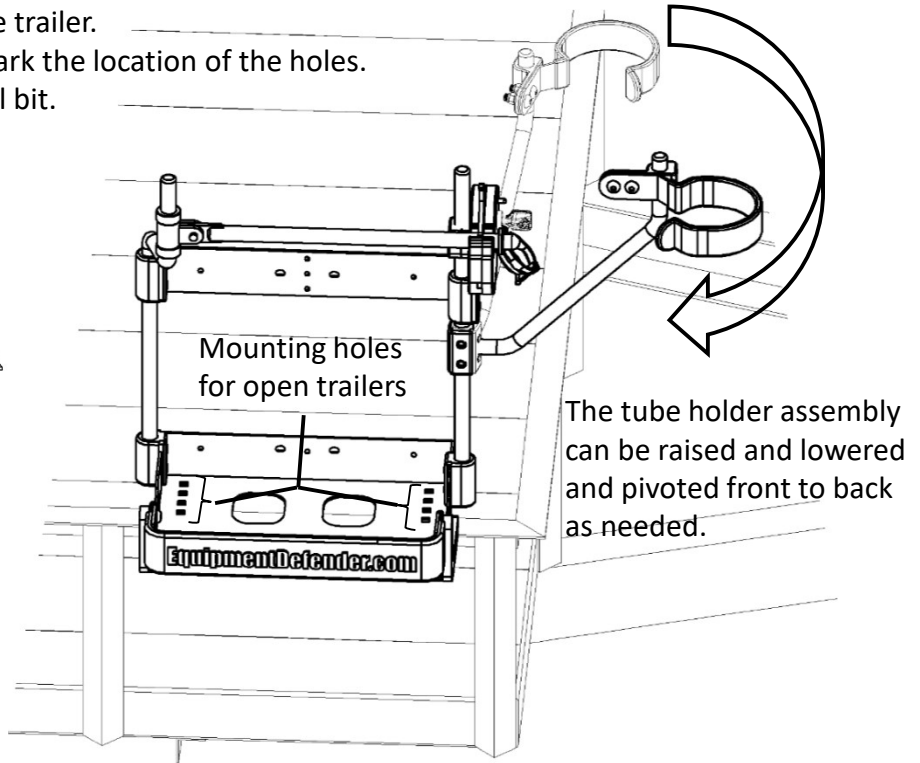
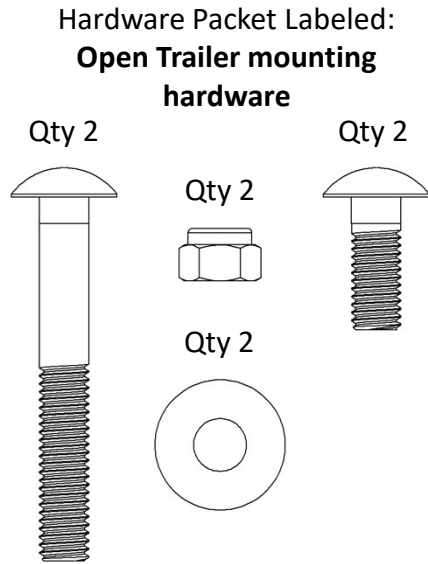
Adjust the rack so the blower fits in as tight as possible.

- You will want to mount your rack onto your open trailer to make it easy to adjust without moving around. Enclosed trailer applications it may be easier to adjust the rack to your blower first.
- **Use thread lock and tighten all adjustment screws as tight as possible after adjusting.**
- Note: If you wish to achieve maximum security bolt/screw heads can be filled with epoxy.



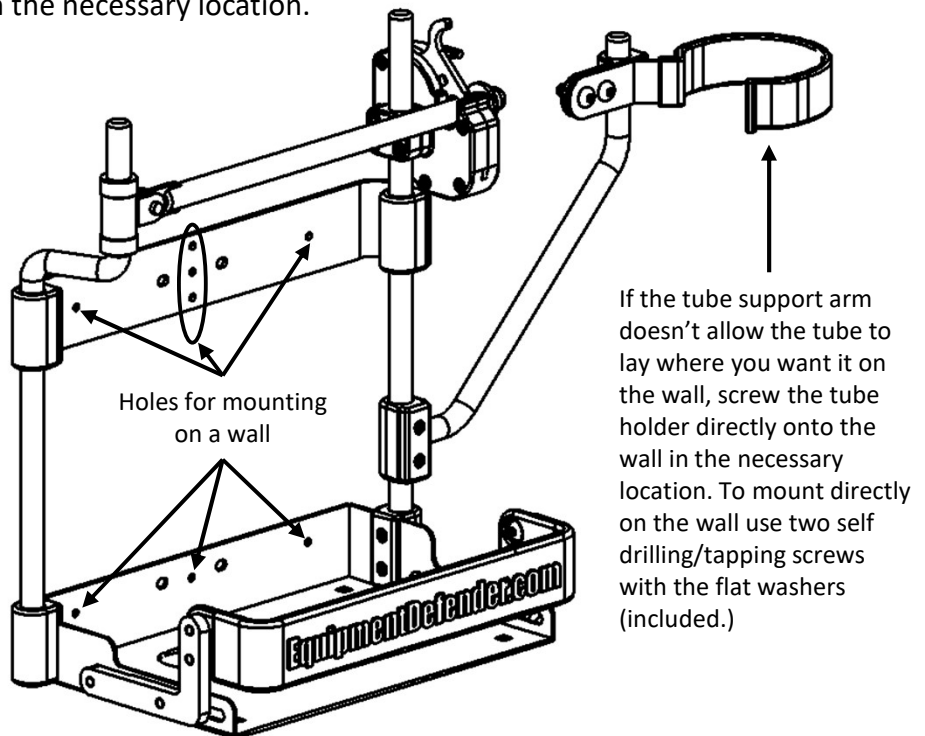
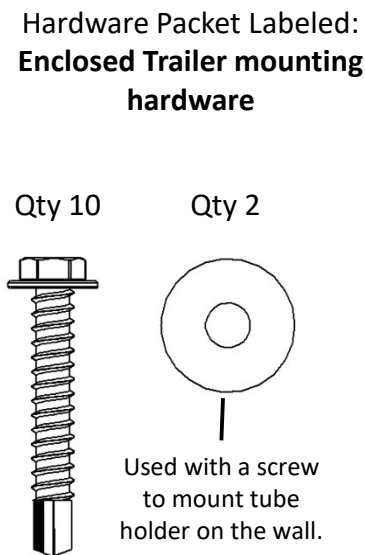
Mounting on Open Trailers

1. Select a location on your trailer for your blower (If you want to put the rack on the side rail but at the very front of the trailer you can pivot the tube holder toward the back to keep the tube from sticking out over the front of the trailer).
2. Set the rack onto the rail and mark the location of the holes.
3. Drill the holes using a 27/64 drill bit.



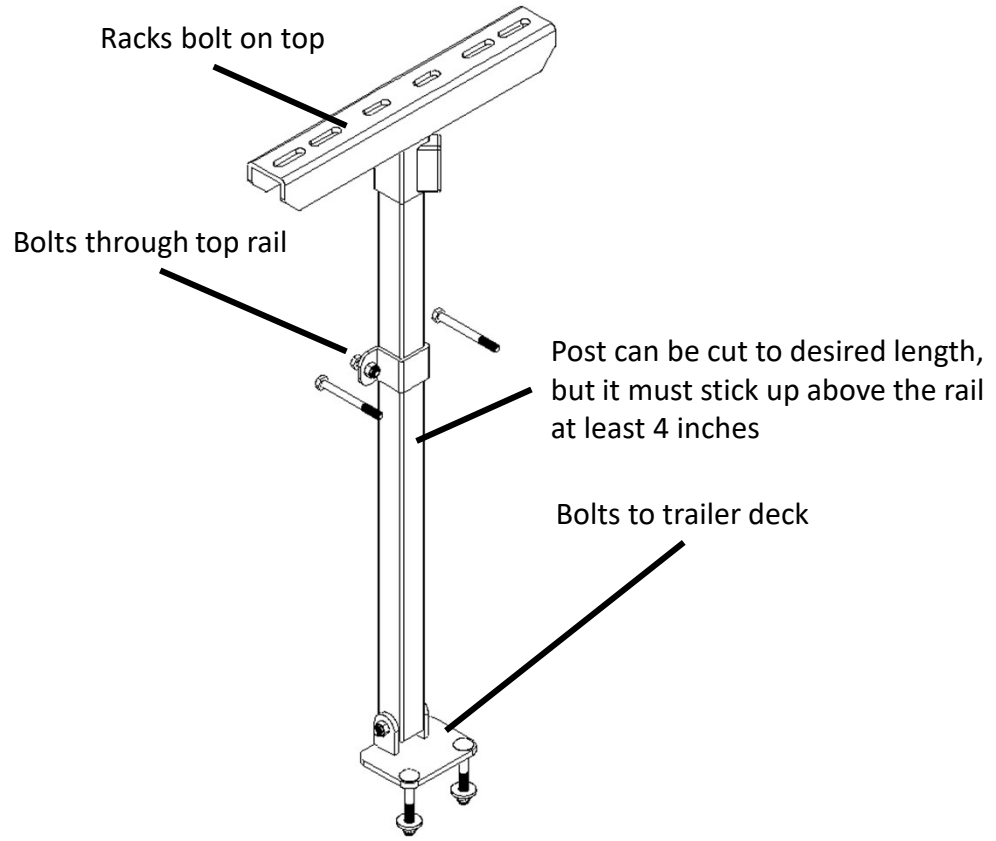
Mounting on Enclosed Trailers

- Use the holes indicated for mounting on a wall. Make sure and use all holes/screws.
- All of the holes in the center should be screwed directly into a steel rib.
- If the tube support arm doesn't allow the tube to lay where you want it on the wall, screw the tube holder directly onto the wall in the necessary location.

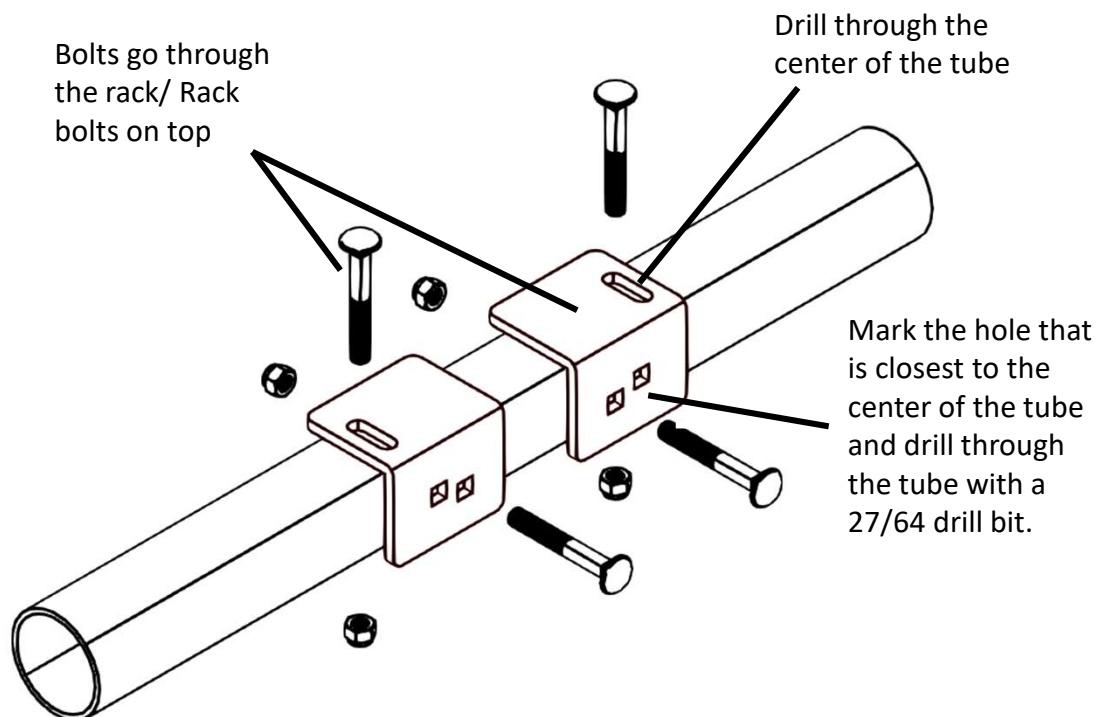


Open Trailer Mounting Post (sold separately)

This mounting post is a great option for trailers with weak top rails.

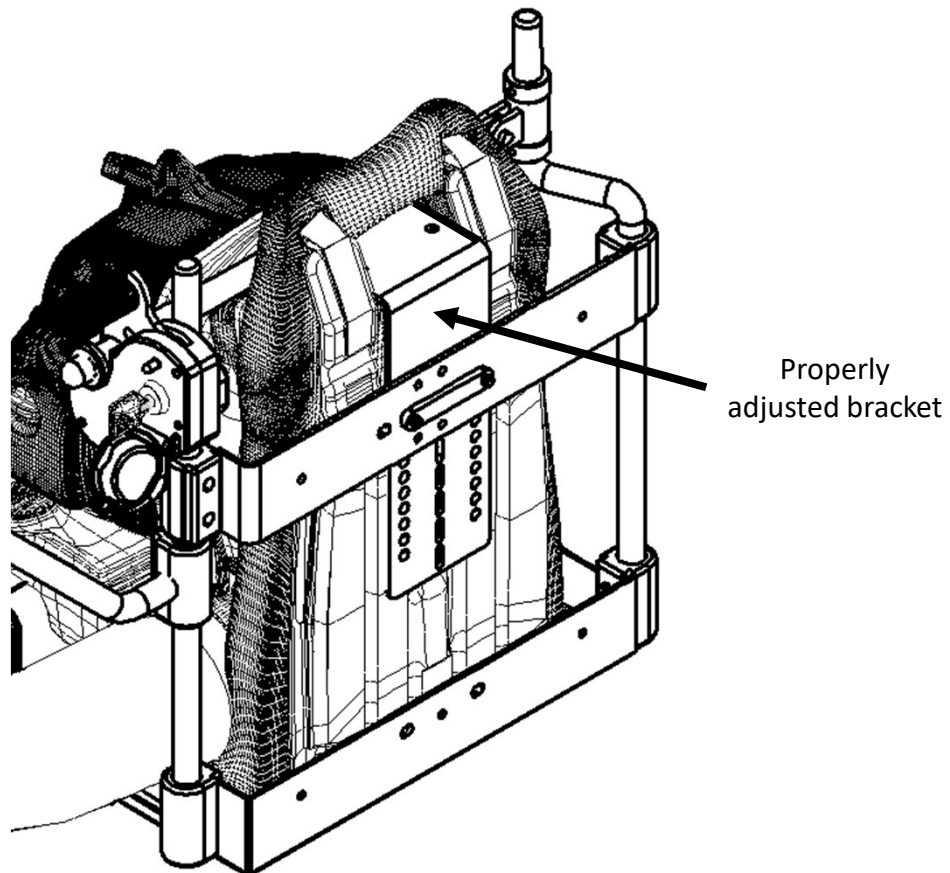
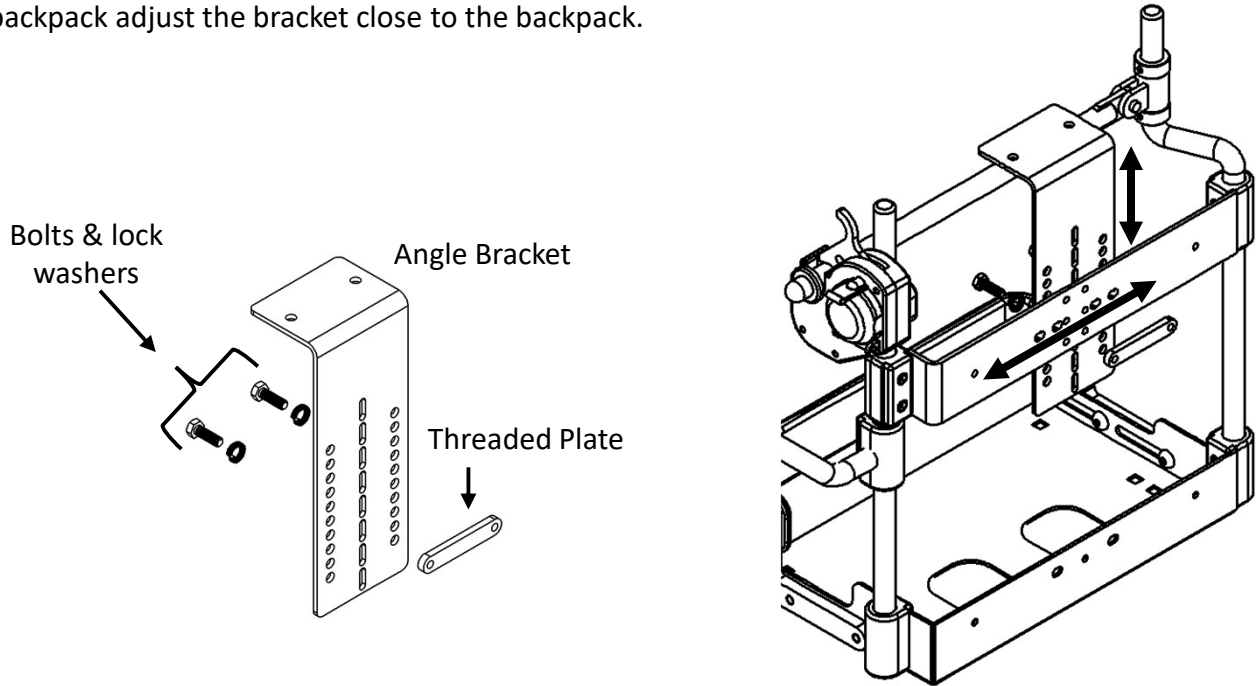


Round Rail Brackets (sold separately)



Install Angle Bracket

- The purpose of this bracket is to ensure the blower can't be lifted when the rack is locked.
- The bracket should be adjusted low enough to ensure there isn't excessive space between the backpack and the bracket.
- The bracket can also be adjusted side to side to ensure alignment with the handle.
- The bracket can be placed into the handle area on some blowers, if there isn't a handle on your backpack adjust the bracket close to the backpack.

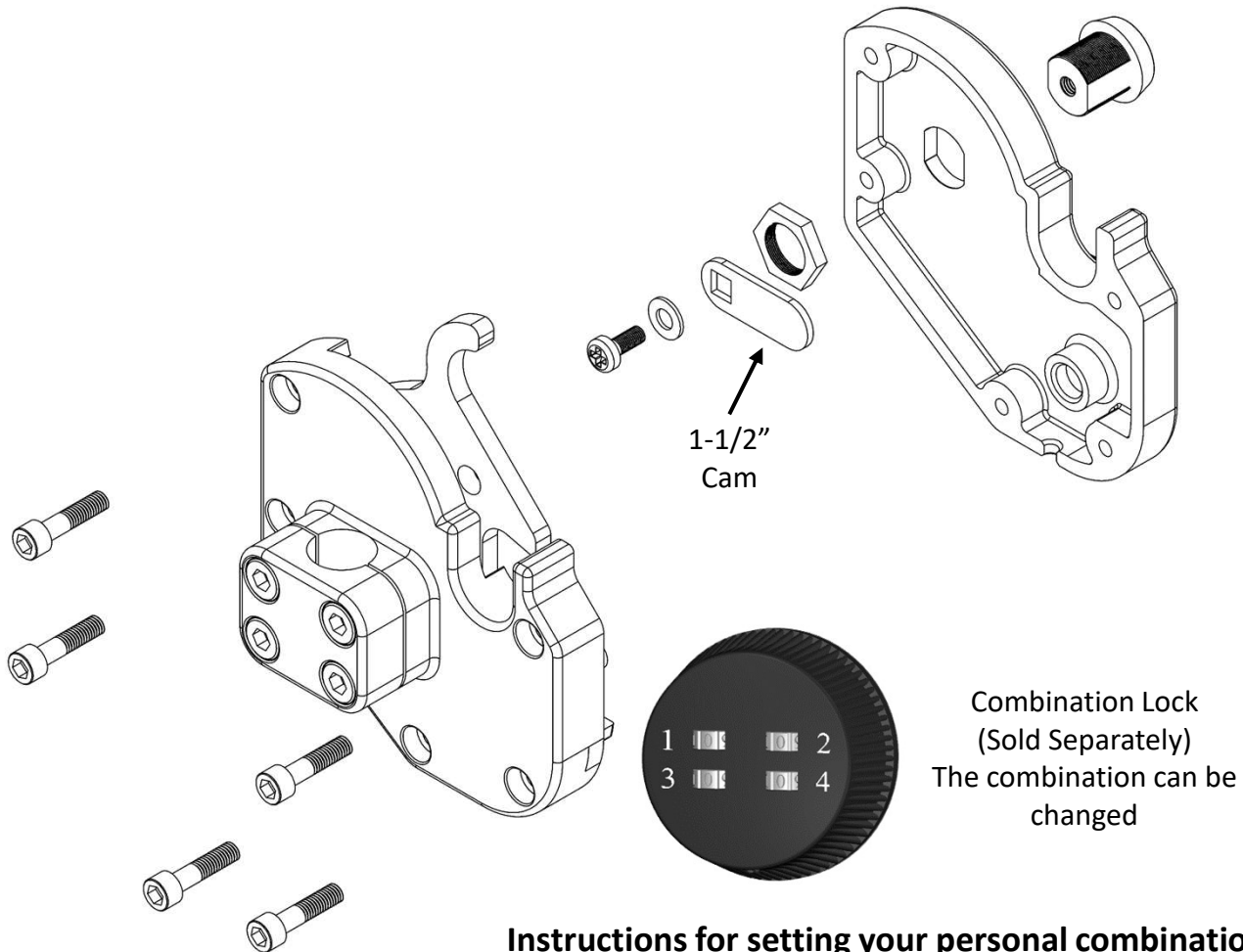


Changing the lock

Equipment Defender offers a combination lock (sold separately.)

1. Remove the screws that hold the two sides of the lock housing together. This will require a tamper resistant tip hex wrench (included)
2. Remove the existing lock.
3. Install the new lock.

Note: If you wish to achieve maximum security bolt/screw heads can be filled with epoxy.



Instructions for setting your personal combination:

- The combination is factory set at >>0-0-0-0<<
- Combination must be on opening number prior to resetting
- On the underside outer edge of the lock there is a hole for the code reset button. Rotate the face of cam until the code reset button comes into view.
- Push this pin in with a paper clip and keep it pushed in
- Set your personal combination by turning the dials to the desired combination – starting with the dial marked '1', and moving to '2', '3', and then '4'.
- Release the reset button and your combination is set.
- To lock, rotate lock to "locked" position. Rotate one or more dials after lock is closed. To open the lock, turn dials to your personal combination.